

# SamDrill

Sampler for bulk material



**KERSTING** GMBH  
SAMPLING + GROUNDING

# SamDrill

One litre out of 25 tons

Taking a representative sample of bulk material from road tankers before either rear tipping or pneumatic discharge into storage bins or silos was very difficult before the arrival of SamDrill. This is due to the compressed nature of the product caused by movement during transit. As penetration of the product is very difficult, the operator is forced to take the sample from the surface of the material or from the product flow. In the case of surface sampling the end result is not representative.



Easy target sampling from the product

The new SamDrill has been developed to take a representative sample from settled product in a road tanker at a depth of up to two metres, quickly and easily with the 3D screw blades loosening the product as the sampler head penetrates the product.



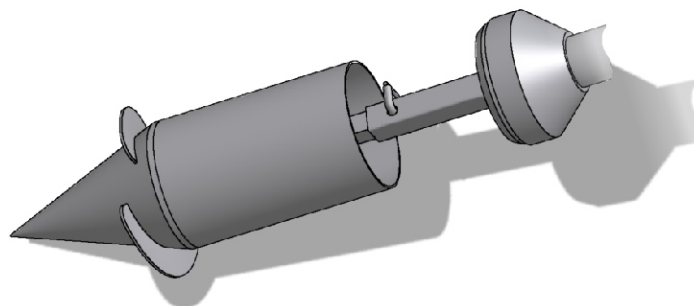
Easy to operate

With the SamDrill you take samples from any bulk material in a very short time - and that without abdicating accuracy or reproducibility!

Surely: Every sampling process costs time and therefore money. Even more, if sampling and analysis have to be repeated when the results are not correct and have to be re-checked. Don't let this happen to you - create a well-founded base for your quality control!



The new SamDrill is easy to operate. With its robust construction it never sticks or binds even with abrasive powders.



The clever technique and very robust construction of the SamDrill make sure that sampling is always reliable and quick. The risk of modifying the sample or making it unusable is minimal.

**Seizing? Jamming?**

**Not with the SamDrill - guaranteed!**

Application / Suitability

The Silo Bulky is suitable for sampling bulk material with a maximal particle size of approx. 15 mms. The product to be sampled should at least be heavily flowing. We will be pleased to test whether your product can be sampled with the Silo Bulky!

**Sample volume:** approx. 1000ml / 1 Litre

**Max. Sampling depth:** approx. 2 Meter

**Material:** Made from stainless steel 1.4301

**Weight:** approx. 10 kgs

GBA-SADRI-08903-1